



webeyefog

A
small unit
that carries
a big punch

Intruders can't steal
what they can't see

Security fog system from Webeye

- webeyefog has a smoke cartridge that covers 150m³
- Easily connected to your visually verified alarm system
- Low maintenance, low energy, low cost
- Non-toxic and leaves no residue
- Can trigger upon intrusion if configured with an alarm panel or remotely via a monitoring platform such as webeyecms

Compact, economical, powerful.

When an alarm goes off, burglars know they have some time before anybody intervenes. webeyefog makes it impossible for them to use that time.

webeyefog is a highly efficient system that costs a fraction of all other fog systems on the market and uses practically no power. It releases dense and bitter smoke that lingers for about an hour which impairs vision inside the protected environment. It is a truly effective way to prevent theft. Other systems base their effectiveness solely on visual impairment, webeyefog makes it physically impossible to linger in the protected areas.

webeyefog is ideal to protect shops, offices, vehicles or any environment you need to deter intruders or threats. It is available as *wired, wireless, battery powered* or a combination to create the most appropriate system. The following pages are suggestions of scenarios they could be applied but the system can be tailored to your own particular requirements.

Contact us

+44 (0)115 714 9990

+1 863 336 6527

email sales@webeyecms.com

www.webeyecms.com

HIKVISION™



VIDEOFIED
ULTIMATE SECURITY

AVIGILON™

DAHUA
TECHNOLOGY

Luminite

AJAX

GJD
DETECT & SECURE

Visionic

Calipsa

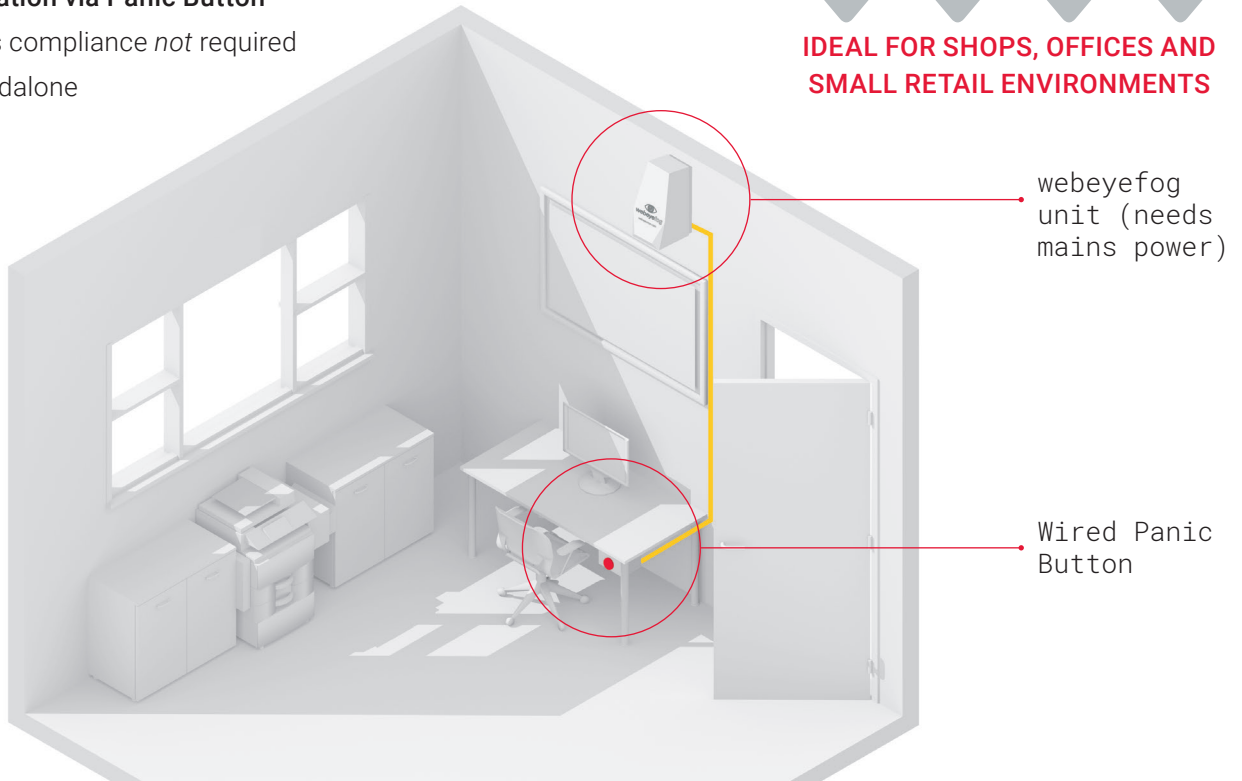
webeyefog WIRED

Scenario 1: Activation via Panic Button

- Alarm standards compliance *not* required
- Completely standalone
- Mains power
- Panic (24hr)

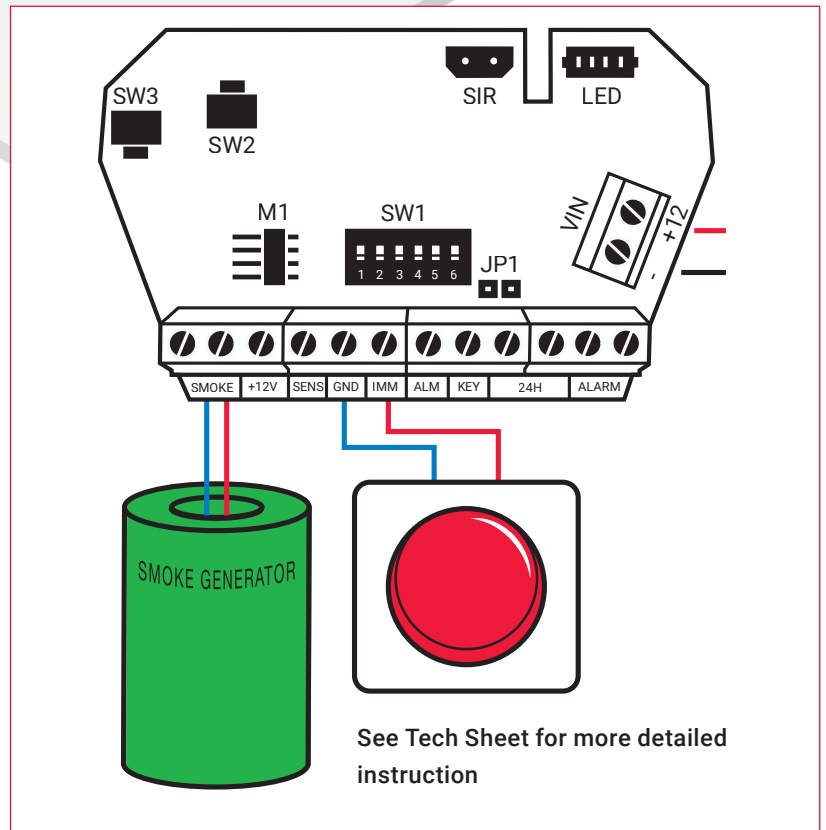


IDEAL FOR SHOPS, OFFICES AND SMALL RETAIL ENVIRONMENTS



WIRED

- Mains powered standalone
- Very low energy consumption
- Non-toxic incense-based smoke
- No dust or residuals left
- Permanent smoke presence (1 hour minimum)



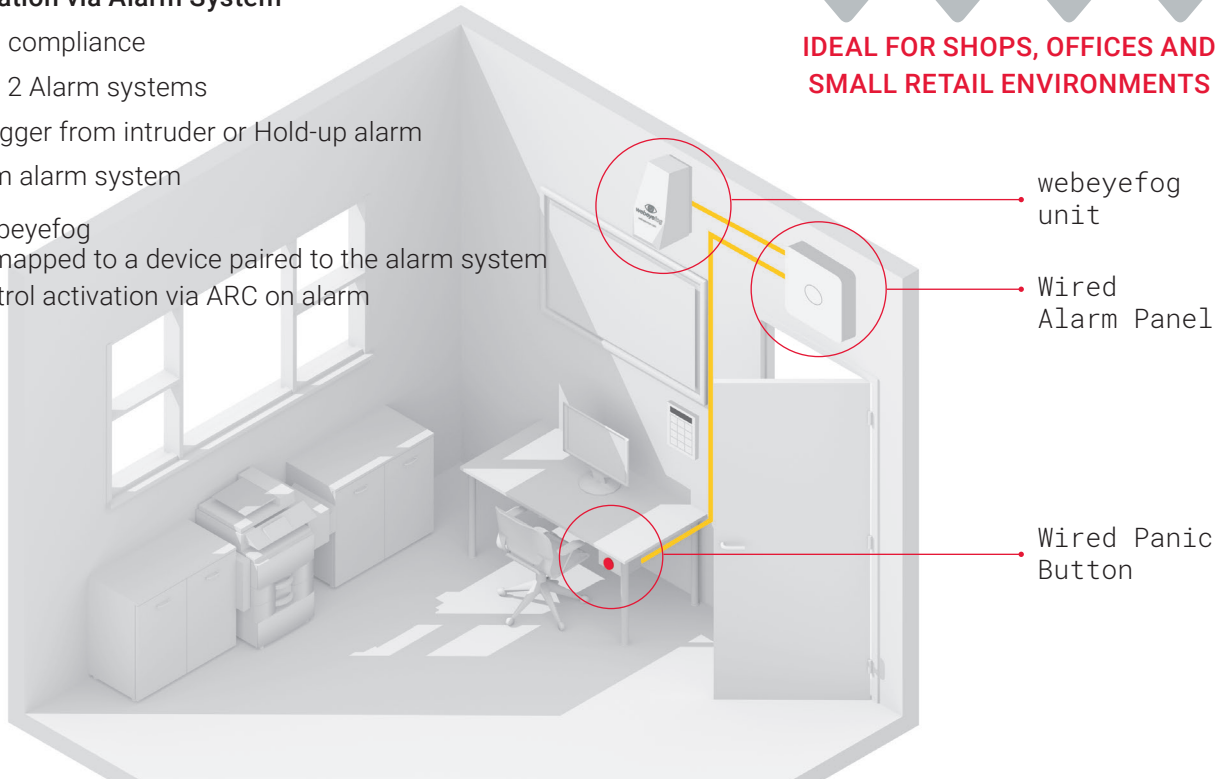
webeyefog WIRED

Scenario 2: Activation via Alarm System

- Alarm standards compliance
- Used with Grade 2 Alarm systems
- Activate upon trigger from intruder or Hold-up alarm
- Arm/disarm from alarm system
- Activation of webeyefog
 - can either be mapped to a device paired to the alarm system
 - or remote control activation via ARC on alarm

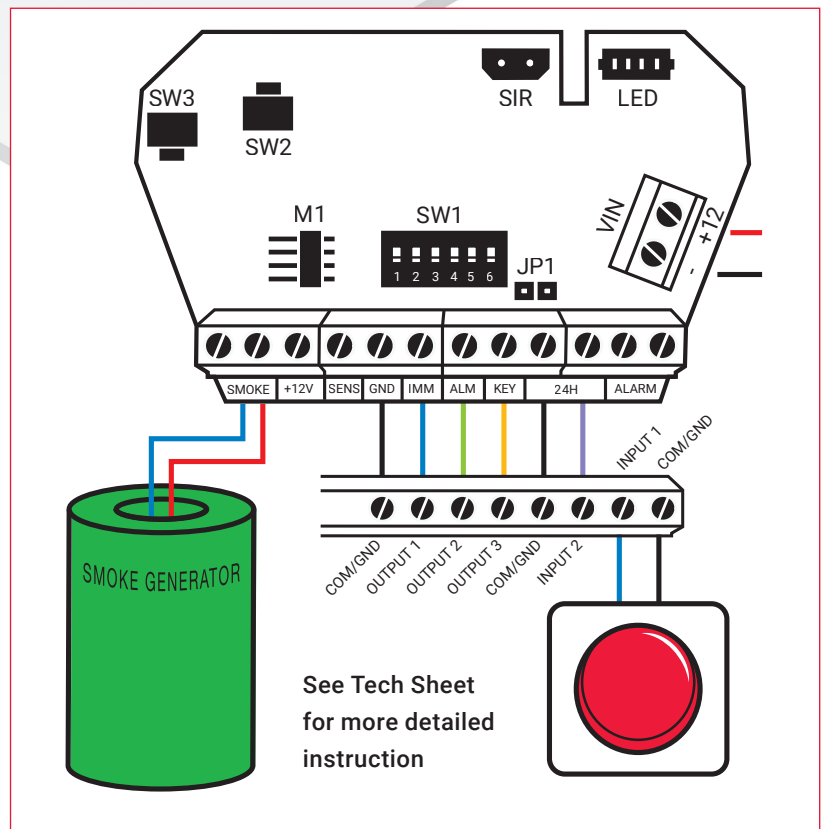


IDEAL FOR SHOPS, OFFICES AND SMALL RETAIL ENVIRONMENTS



WIRED

- Mains powered standalone
- Very low energy consumption
- Non-toxic incense-based smoke
- No dust or residuals left
- Permanent smoke presence (1 hour minimum)



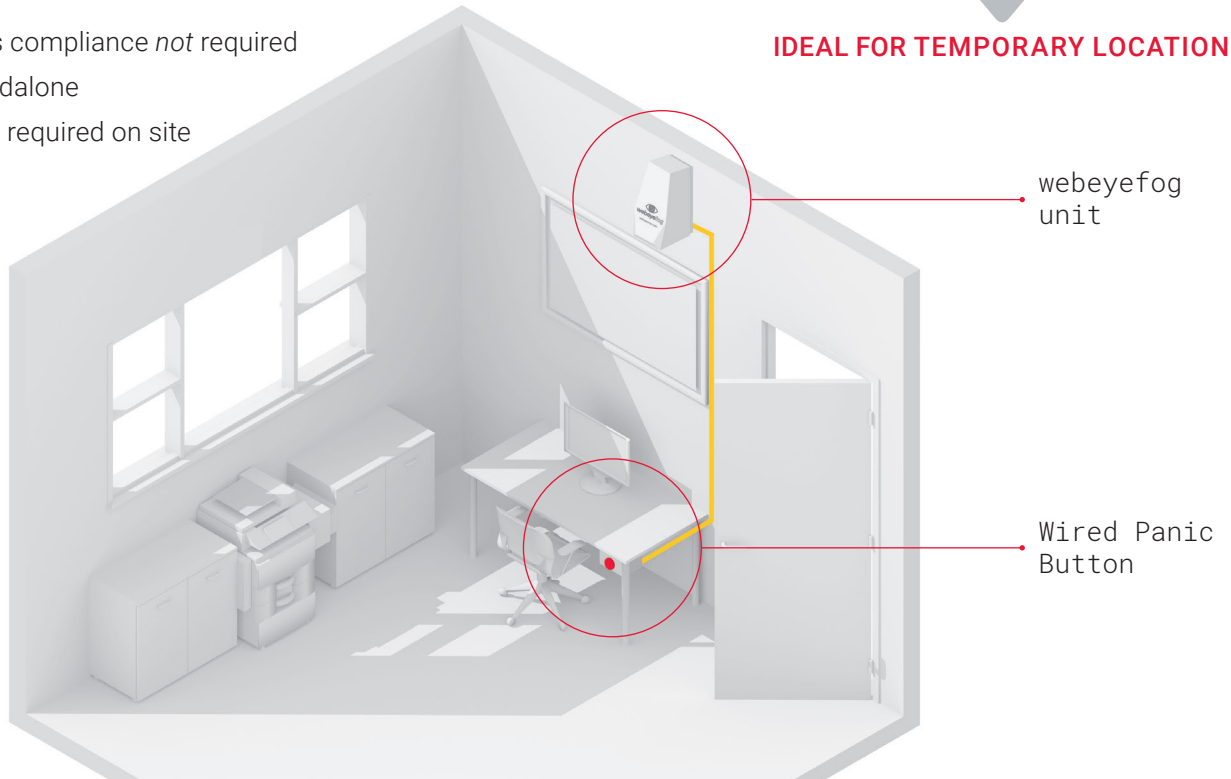
webeyefog BATTERY POWERED

Scenario 3: Activation via Panic Button

- Alarm standards compliance *not* required
- Completely standalone
- No mains power required on site
- Battery powered
- Panic (24hr)

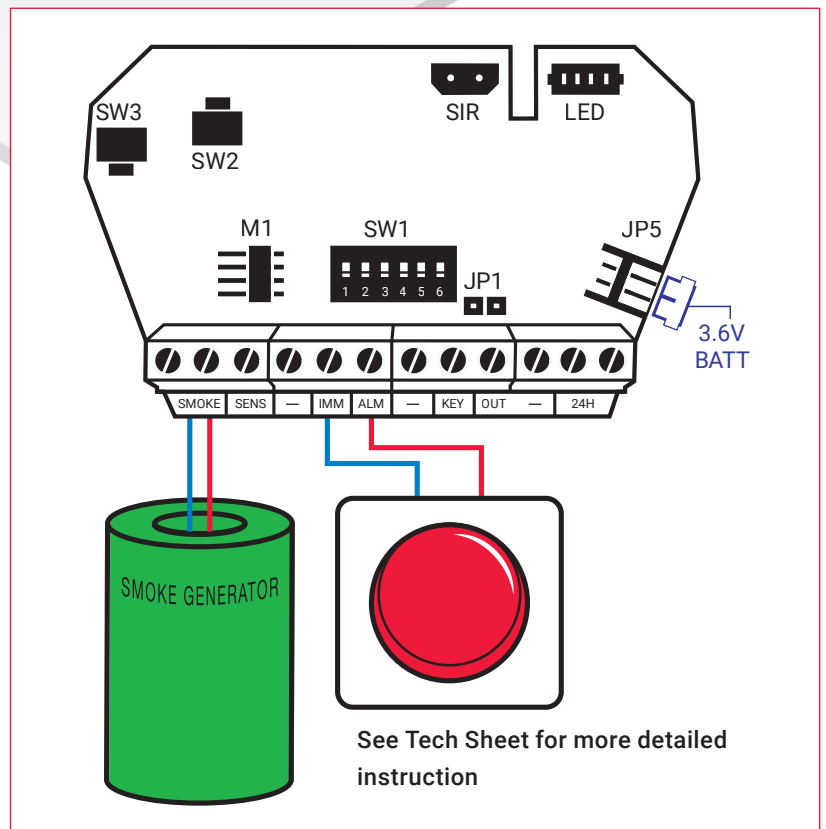


IDEAL FOR TEMPORARY LOCATIONS



BATTERY POWERED

- Self-powered standalone
- Very low energy consumption
- Non-toxic incense-based smoke
- No dust or residuals left
- Permanent smoke presence (1 hour minimum)



Contact us

+44 (0)115 714 9990

+1 863 336 6527

email sales@webeyecms.com

www.webeyecms.com

HIKVISION

VIDEOFIED
ULTIMATE SECURITY

AVIGILON

DAHUA
TECHNOLOGY

Luminite

AJAX

GJD
DETECT & SECURE

Visonic

Calipsa

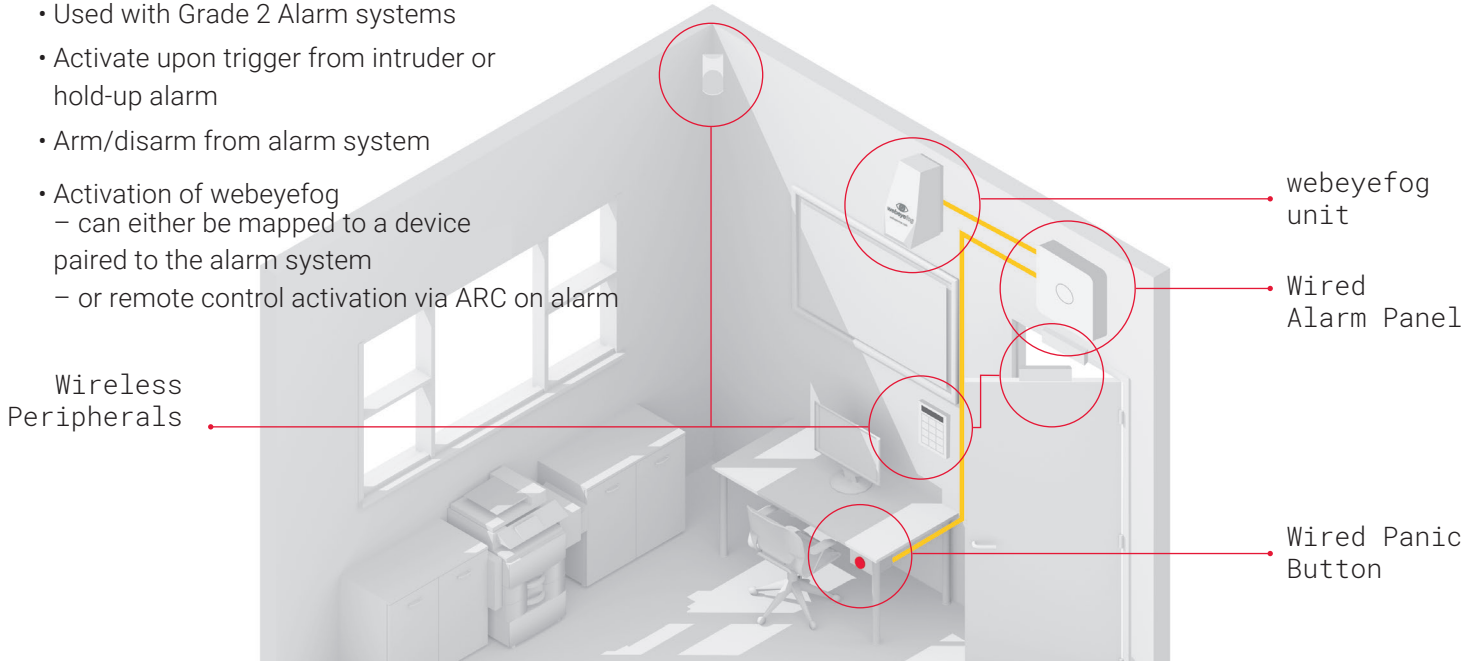
webeyefog BATTERY POWERED and wireless

Scenario 4: Activation via Alarm System

- Compatible with Videofied Visual Verification systems
- Alarm standards compliance
- Used with Grade 2 Alarm systems
- Activate upon trigger from intruder or hold-up alarm
- Arm/disarm from alarm system
- Activation of webeyefog
 - can either be mapped to a device paired to the alarm system
 - or remote control activation via ARC on alarm

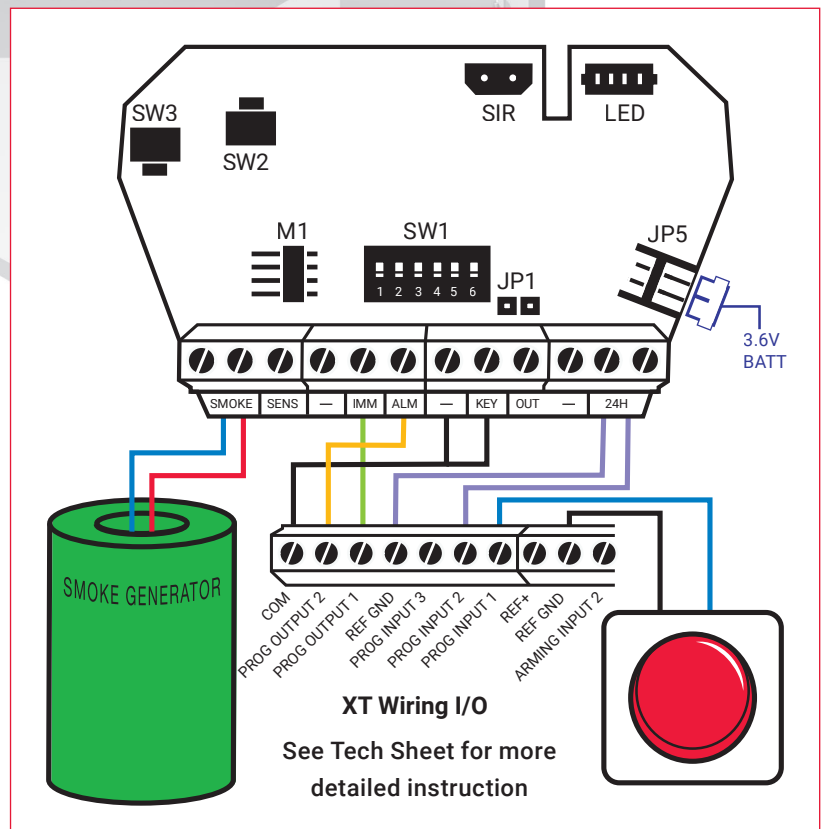


IDEAL FOR VACANT PROPERTIES & CONSTRUCTION SITES



BATTERY POWERED AND WIRELESS

- Self-powered central triggered
- Very low energy consumption
- Non-toxic incense-based smoke
- No dust or residuals left
- Permanent smoke presence (1 hour minimum)



Contact us

+44 (0)115 714 9990

+1 863 336 6527

email sales@webeyecms.com

www.webeyecms.com

HIKVISION

VIDEOFIED
ULTIMATE SECURITY

AVIGILON

DAHUA
TECHNOLOGY

Luminite

AJAX

GJD
DETECT & SECURE

Visonic

Calipsa

webeyefog BATTERY POWERED and wireless with Alarm System

Scenario 5: Activation via webeyefog Wireless Add-ons

- Battery powered webeyefog units
- Two stage trigger
- Remote controlled arm/disarm
- Remote controlled panic (24hr)



IDEAL FOR WAREHOUSES, OFFICES & SHOWROOM ENVIRONMENTS

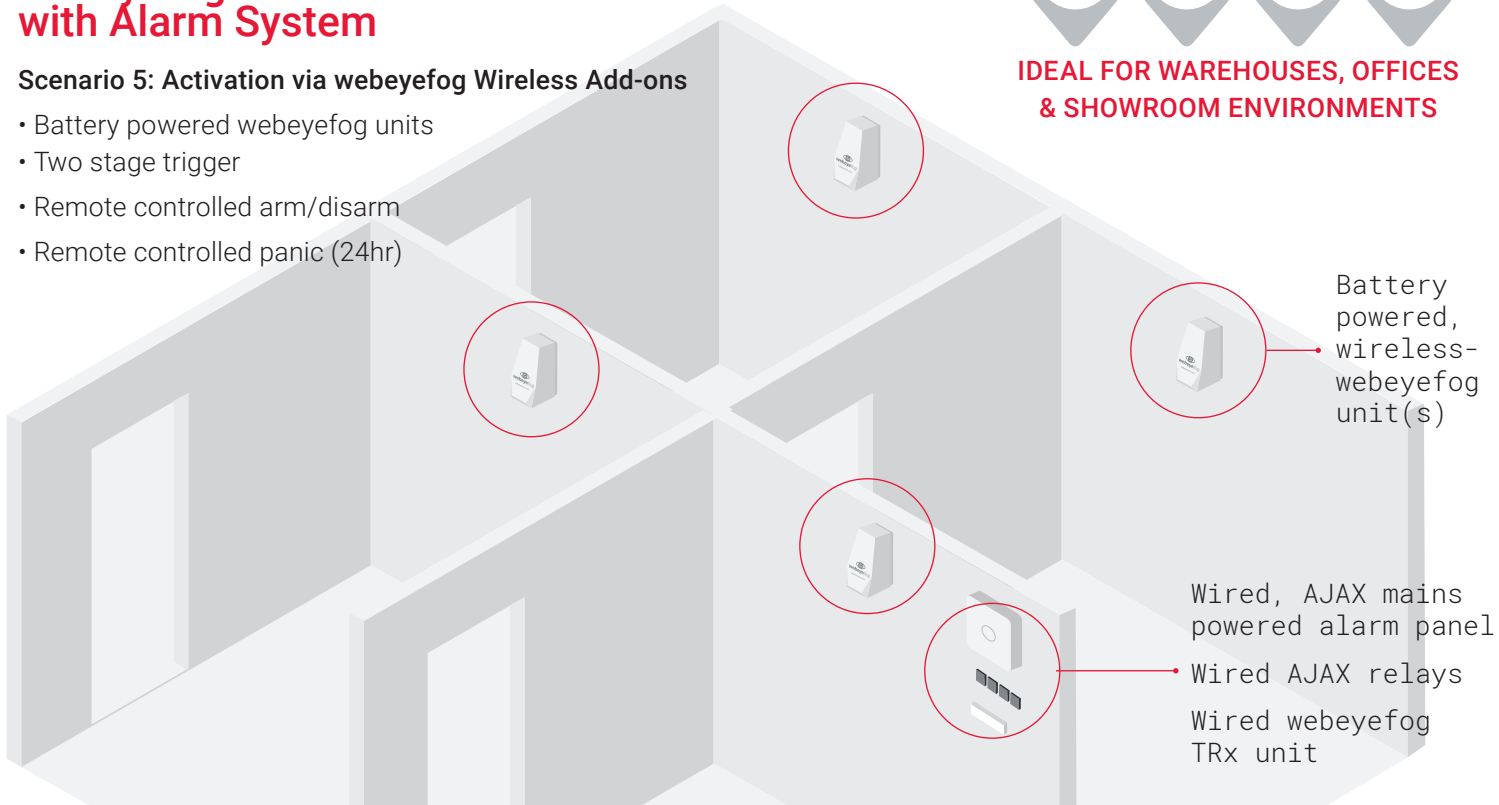


Illustration shows AJAX mains powered alarm panel as an example

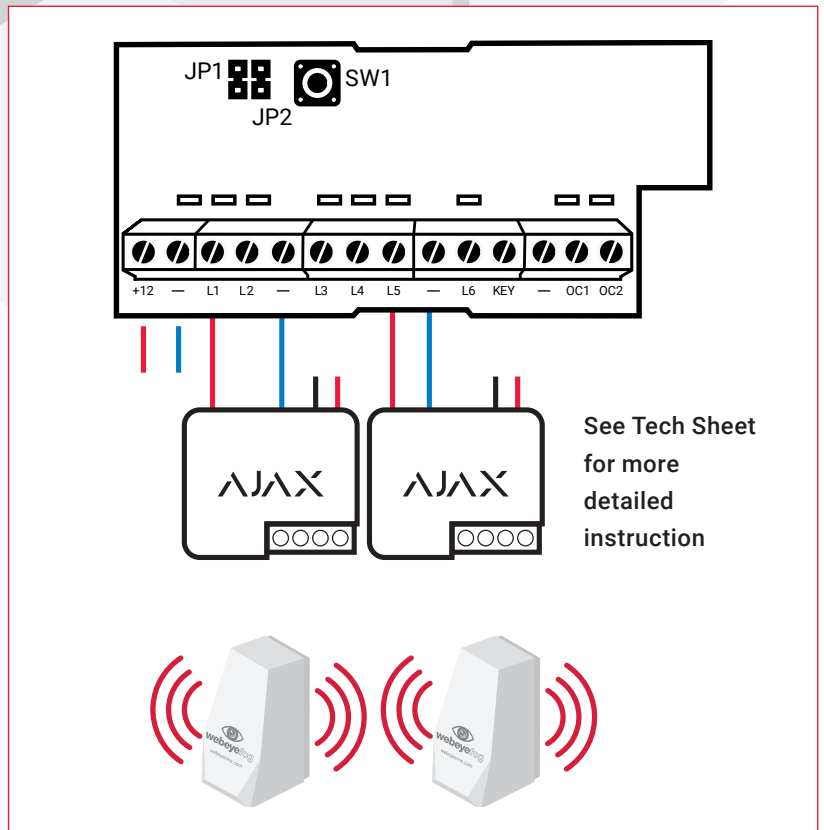


webeyefog

UNIT

BATTERY POWERED AND WIRELESS

- Self-powered standalone
- Very low energy consumption
- Non-toxic incense-based smoke
- No dust or residuals left
- Permanent smoke presence (1 hour minimum)



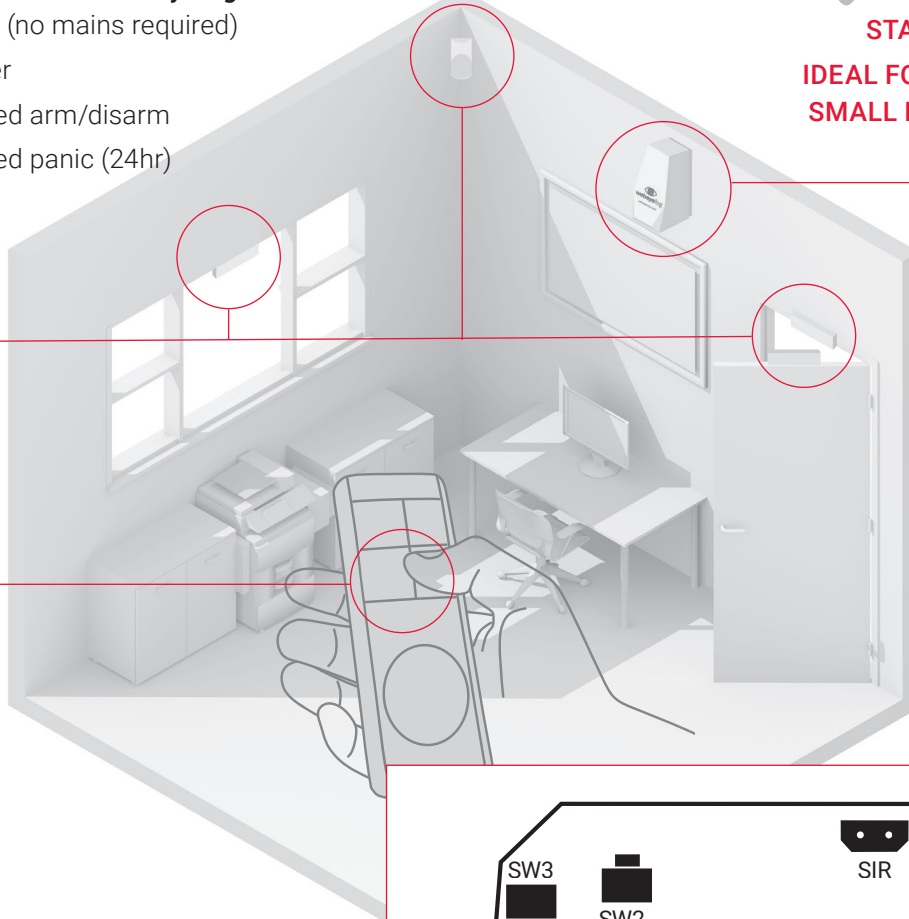
webeyefog BATTERY POWERED and wireless

Scenario 6: Activation via webeyefog Wireless Add-ons

- Battery powered (no mains required)
- Two stage trigger
- Remote controlled arm/disarm
- Remote controlled panic (24hr)

Wireless
Peripherals

Remote
Control
/Panic



STANDALONE SYSTEM

IDEAL FOR SHOPS, OFFICES AND
SMALL RETAIL ENVIRONMENTS

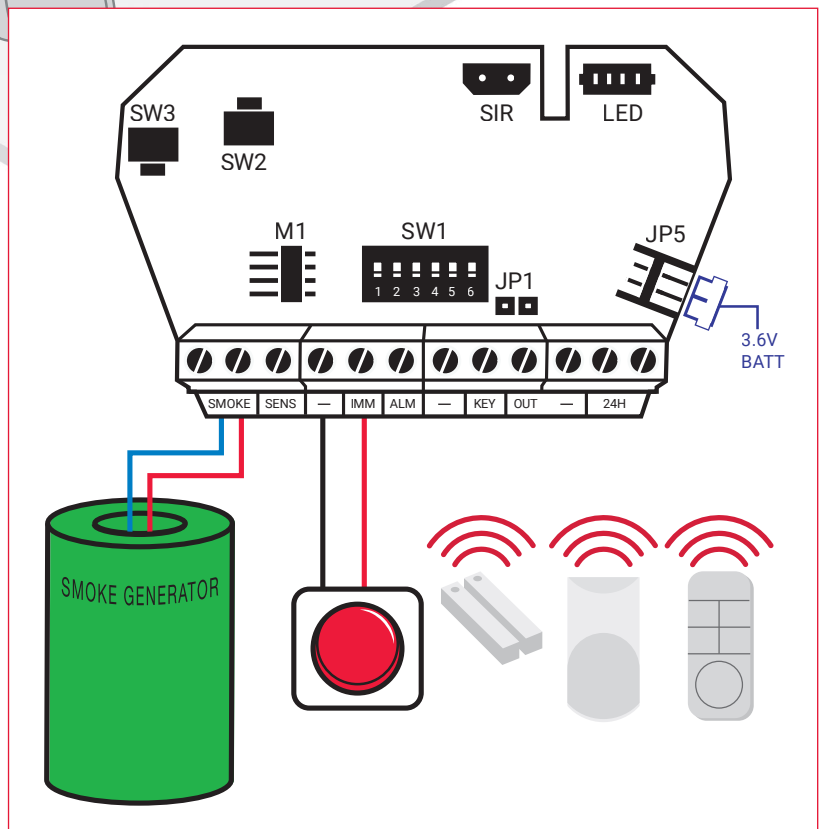
webeyefog
unit



UNIT

BATTERY POWERED AND WIRELESS

- Self-powered standalone
- Very low energy consumption
- Non-toxic incense-based smoke
- No dust or residuals left
- Permanent smoke presence (1 hour minimum)



Contact us

+44 (0)115 714 9990

+1 863 336 6527

email sales@webeyecms.com

www.webeyecms.com

HIKVISION

VIDEOFIED
ULTIMATE SECURITY

AVIGILON

DAHUA
TECHNOLOGY

Luminite

AJAX

GJD
DETECT & SECURE

Visonic

Calipsa

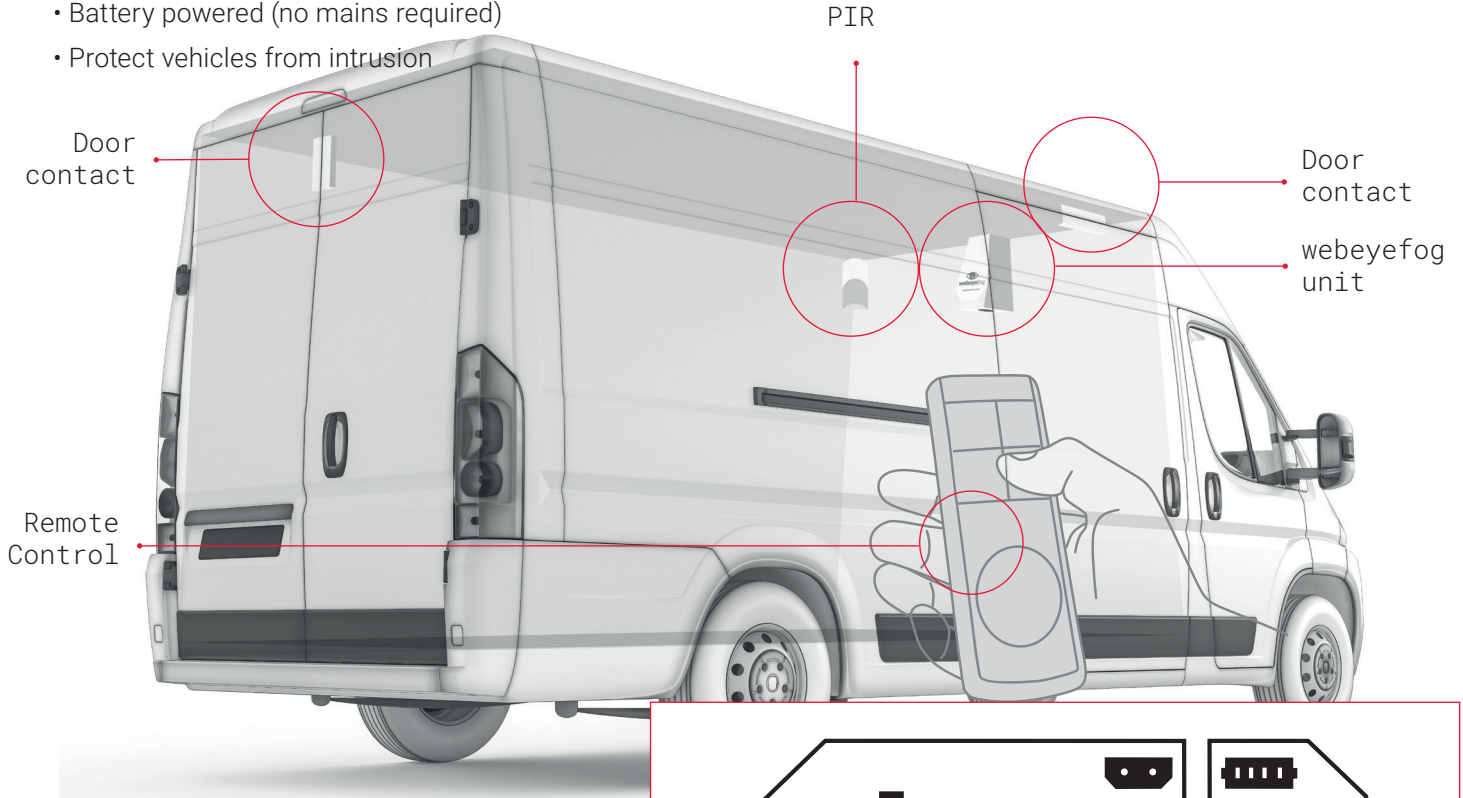
webeyefog BATTERY POWERED with wireless devices

Scenario 7: Activation via door contact and/PIR

- Battery powered (no mains required)
- Protect vehicles from intrusion

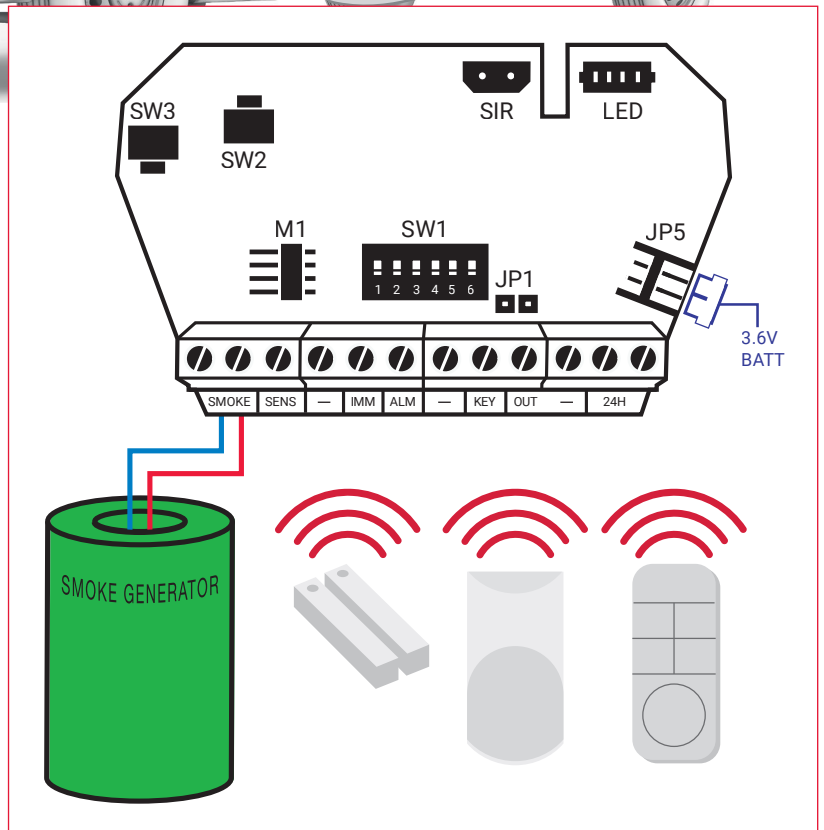


IDEAL FOR MOBILE ENVIRONMENTS



BATTERY POWERED

- Self-powered standalone
- Very low energy consumption
- Non-toxic incense-based smoke
- No dust or residuals left
- Permanent smoke presence (1 hour minimum)



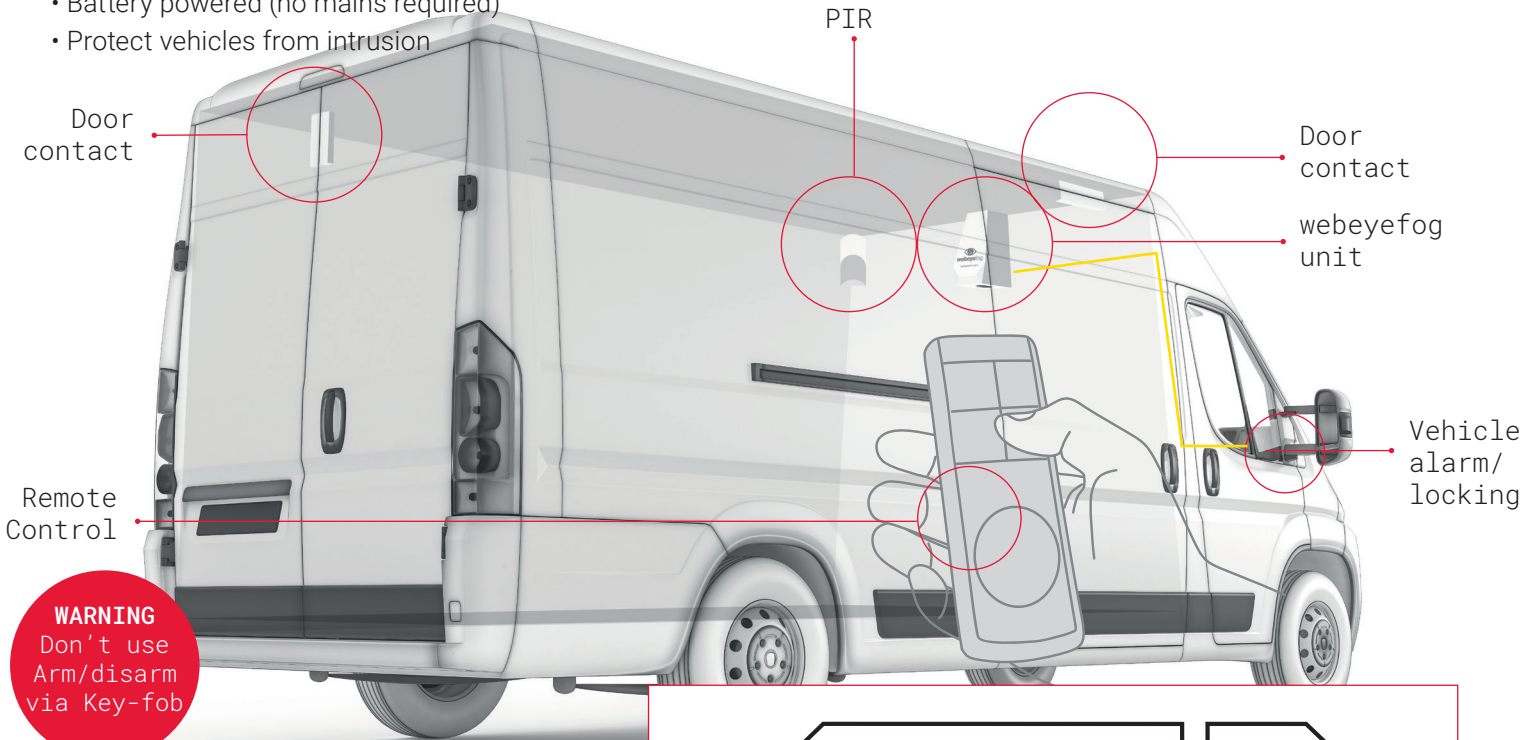
webeyefog BATTERY POWERED with wireless devices and using vehicles alarm/ locking



IDEAL FOR MOBILE ENVIRONMENTS

Scenario 8: Activation via door contact, PIR and vehicle alarm/locking

- Battery powered (no mains required)
- Protect vehicles from intrusion



WARNING
Don't use Arm/disarm via Key-fob

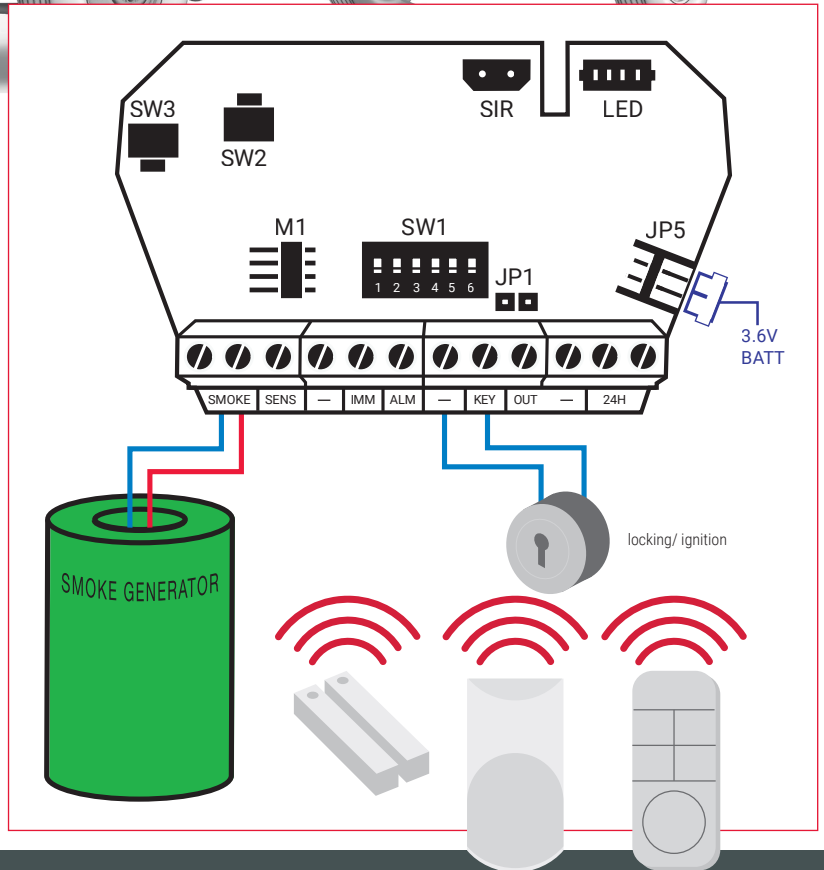


webeyefog

UNIT

BATTERY POWERED

- Self-powered standalone
- Very low energy consumption
- Non-toxic incense-based smoke
- No dust or residuals left
- Permanent smoke presence (1 hour minimum)



Contact us
 +44 (0)115 714 9990
 +1 863 336 6527
 email sales@webeyecms.com

www.webeyecms.com

HIKVISION

VIDEOFIED
ULTIMATE SECURITY

AVIGILON

DAHUA
TECHNOLOGY

Luminite

AJAX

GJD
DETECT & SECURE

Visonic

Calipsa